

SafEBT- Tap AUTOMATIC EBT LANCING

Increased operational safety and efficiency



Steelmaking Special Products

Via Udine 103
33017, Tarcento (UD) - Italy
Tel: +39 0432 799657

SafEBT-Tap AUTOMATIC EBT LANCING

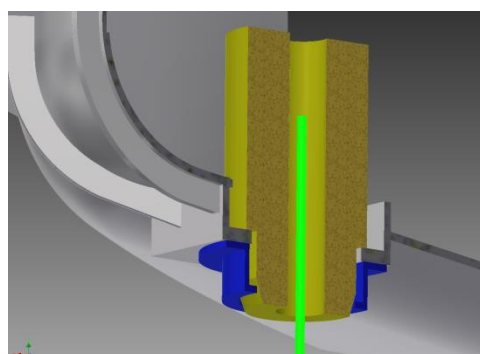
Increased operational safety and efficiency

The eccentric bottom taphole (EBT) of an electric arc furnace sometimes gets clogged and does not open spontaneously therefore it needs to be oxygen lanced. This has always been a dangerous, time-consuming operation. No more. SMS Group has developed SafEBT-Tap, the robotic EBT opening tool for safe and efficient EBT uncorking.

Application

The SafEBT-Tap is an automatically controlled EBT opener. An operator monitors the lancing process from the control room via cameras and steers the heavy-duty SafEBT-Tap robot through the potentially dangerous task of EBT opening.

- All movements – from the parked position to the working position and back, and insertion of the lance – are automatic
- SafEBT-Tap includes a vibration movement of the head just like the manned operations do
- SafEBT-Tap can be installed at any steel plant, either on the retractable EAF platform or other positions



SafEBT-Tap, automatic uncorking is safer

Ease of Use and Maintenance

- All uncorking movements are monitored by a video camera and displayed to the operator
- No manual operation required from the EBT platform
- Completely electrical, to make it work is enough a plug where to connect the control board (hydraulic option available)

For best results

In combination with the SafEBT-Tap, we recommend our SafEBT-Clean device, SafEBT-Fill device (our sand filling system) and SMS automation controls that integrate our video monitoring set-up. Please contact us for more information.



SafEBT-Tap at work, opening the furnace's taphole

YOUR ADVANTAGES

- **Greater operational safety** – non-manned operation in dangerous locations
- **Shorter power-off times** thanks to the rapid, precise opening operations
- **Increased reliability** thanks to better and user friendly EBT opening practice

TECHNICAL DATA

Dimensions (approx.)	L 5000mm
	W 500mm
	H 2000mm

Stroke	750 mm
--------	--------

Lifting speed	200 mm/sec
---------------	------------

Consumables	Quick Connect Lance
-------------	---------------------