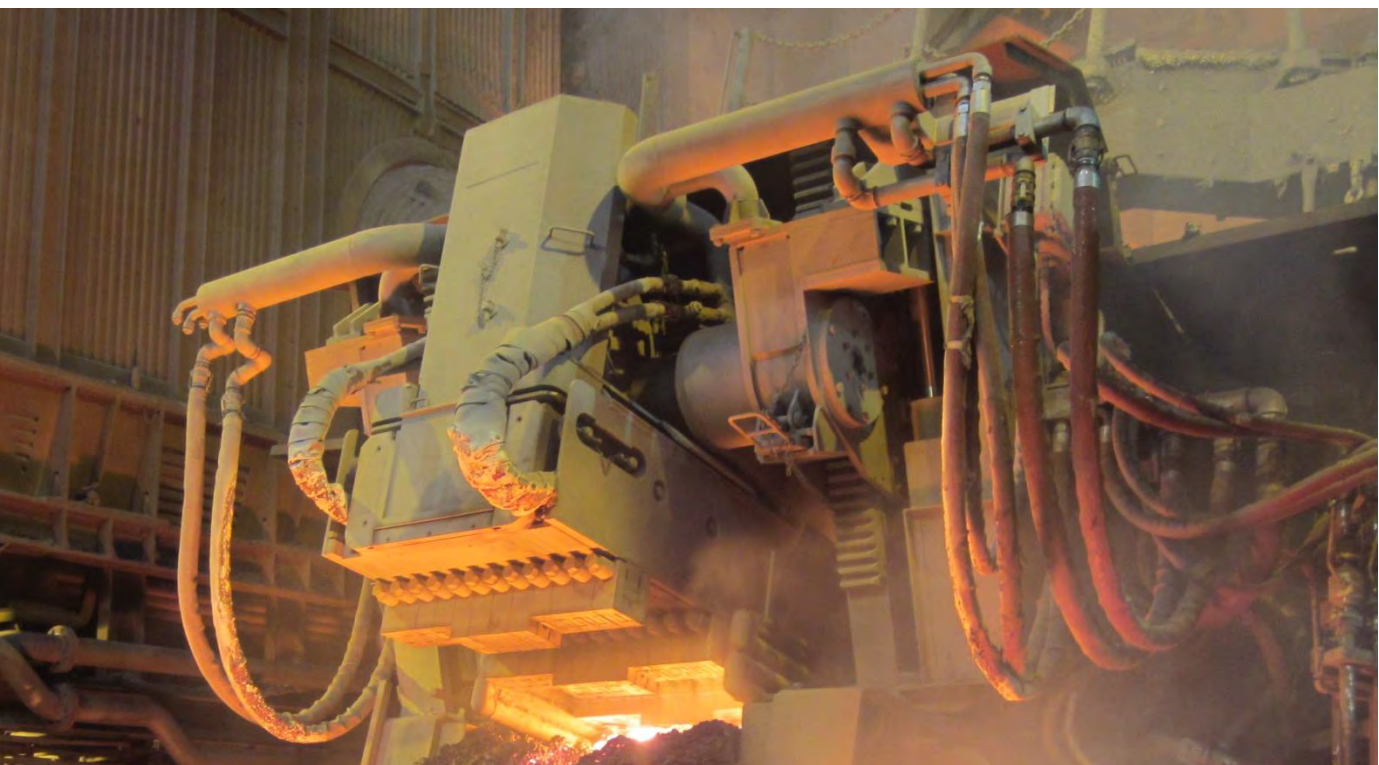


# **CONDOOR HIGH PERFORMANCE SLAG DOOR**

Enhanced safety and performance at lower operating costs!



## **Steelmaking Special Products**

Via Udine 103  
33017, Tarcento (UD) - Italy  
Tel: +39 0432 799657

## CONDOOR®

### HIGH PERFORMANCE AUTOMATIC SLAG DOOR

Enhanced safety and performance at lower operating costs!

Every EAF melting cycle involves the formation of new slag and then its safe removal. These essential process steps were ripe for improvement and, in cooperation with leading steelmakers, the SMS group has engineered CONDOOR, a highly effective slag processing solution. CONDOOR facilitates all activities carried out in the slag door area for improved performance, safety, quality and reduced costs.

#### Application

Developed in close cooperation with major steelmakers, the CONDOOR enhanced slag door is compatible with all EAFs above 50 tons in capacity.

- Easy installation on any furnace – scrap/hot metal/DRI, bucket/continuous charging – with only minor modifications to the upper shell frame
- Cleverly designed mounts allow replacement in just a few hours
- CONDOOR eliminates manual operations in front of the slag door for improved operator safety
- Perfect sealing and noise reduction
- Scrap pushing - furnace sealing - sill cleaning: 3 in 1

#### YOUR ADVANTAGES

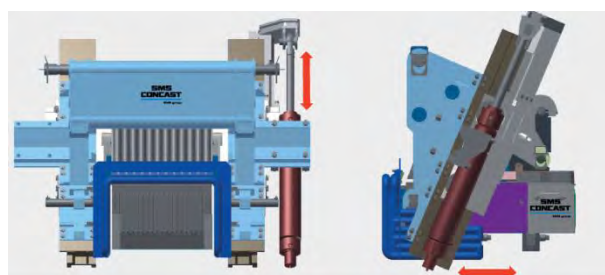
- **Reduced overall operational costs** thanks to extended electrode service life, lower electrical energy and carbon/lime injection costs
- **Assured return on investment** thanks to reduced tap-to-tap times and increased yields
- **Increased safety** thanks to fully automatic operation

#### TECHNICAL DATA

Breast cleaning	24t pushing force at 120 bar 16t pulling force at 120 bar
Pusher stroke	800mm push stroke
Controls	Fully automatic
Patent	US 8758674

Up: deslagging/sampling  
Down: charging/melting

Forward/backward:  
Breast scraping/cleaning



CONDOOR's positioning adapts to operations

#### Ease of Use and Maintenance

- Ideal sampling through clean access window
- No more manual cleaning with oxygen lances and forklifts
- Near zero refractory maintenance in the door area
- Fully automatic operations

#### For best results

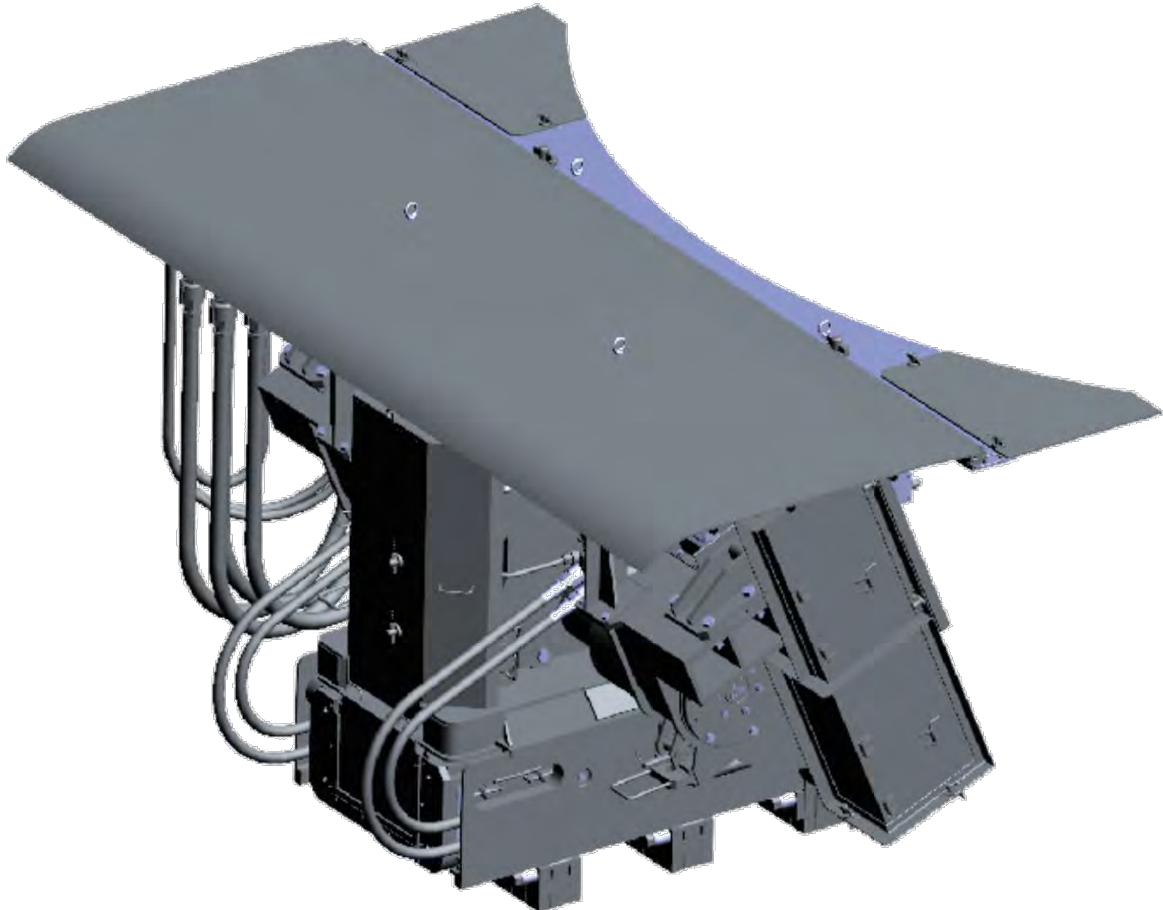
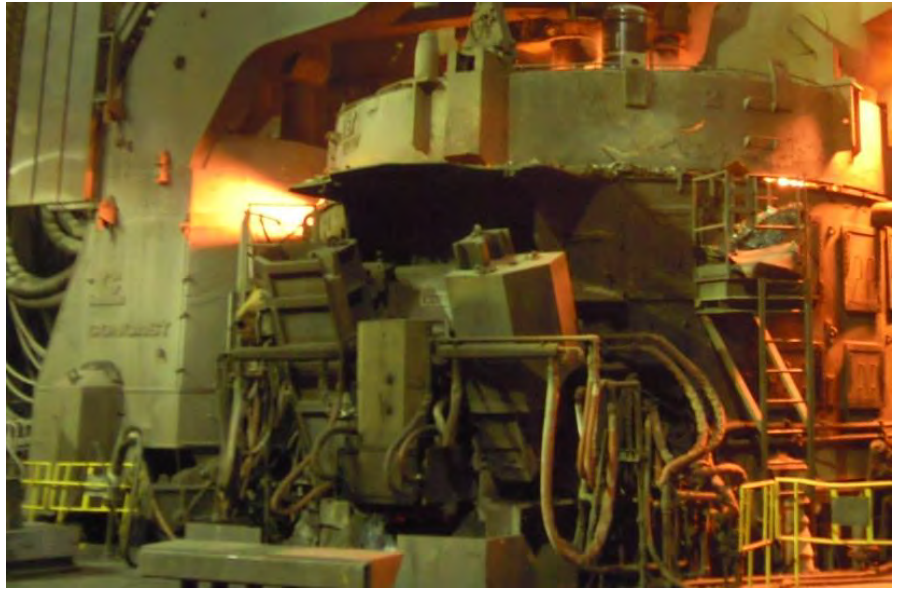
In combination with CONDOOR, we highly recommend SMS automation controls and sampling robots. CONDOOR is compatible with all the charging mix (scrap, DRI, HBI, hot metal). Please contact us for more information.

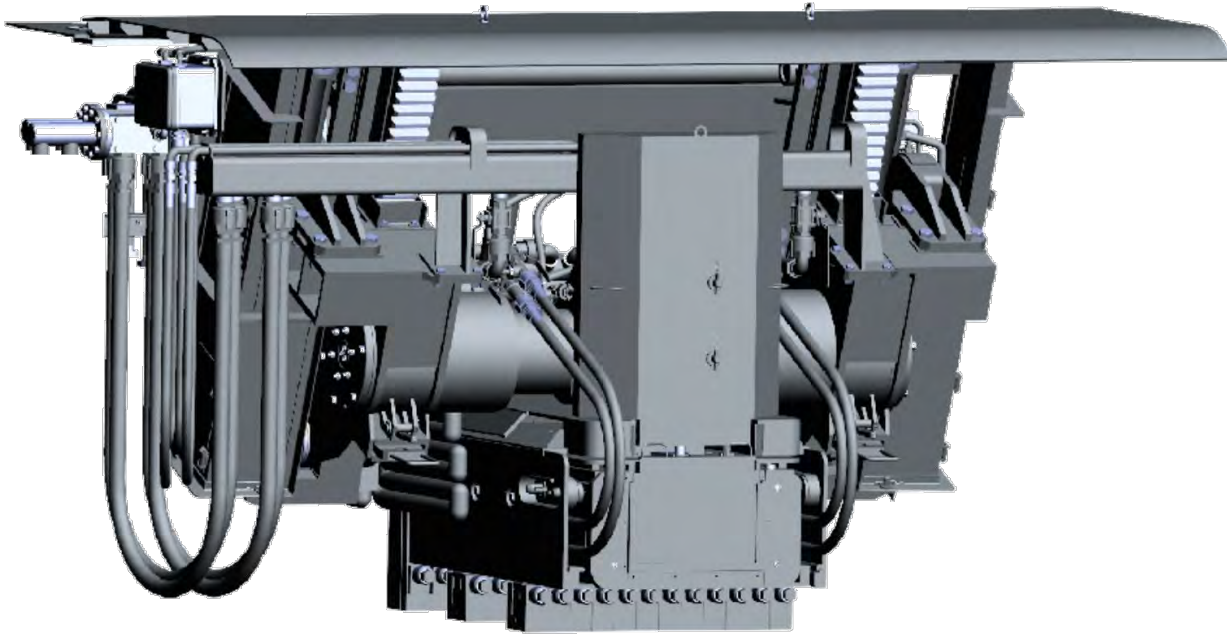


CONDOOR, open for deslagging

*“The improvements on safety and process provided by the Condoor® have exceeded all of our expectations”*

Jacob King, Meltshop Engineer, Nucor Steel BAR Mill Group - Jewett





*“Condoor® maintains the breast profile, not requiring the use of forklift and avoiding the presence of operators”*

Gerdau Acos Longos, Aracariguama, San Paolo

